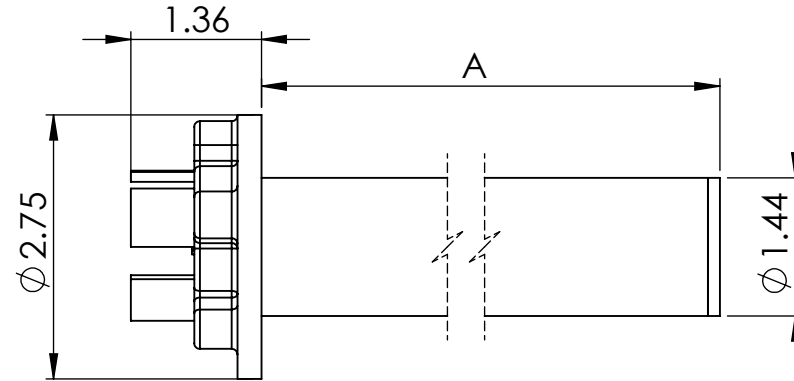
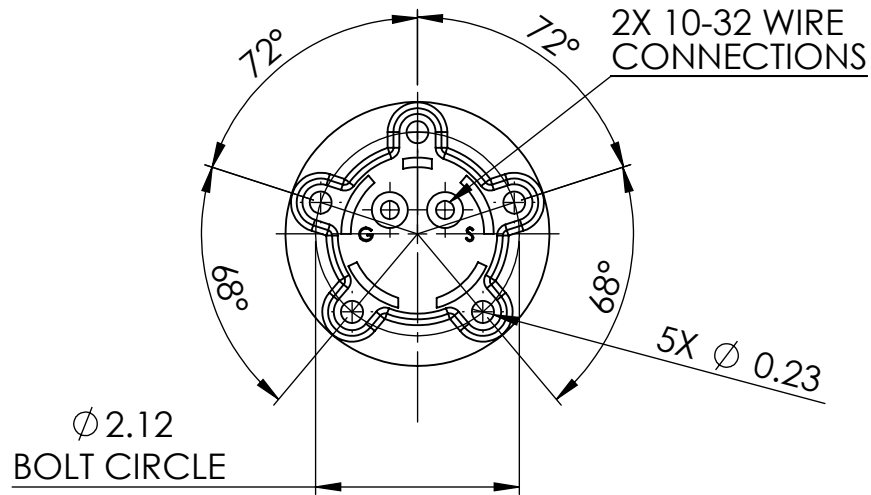
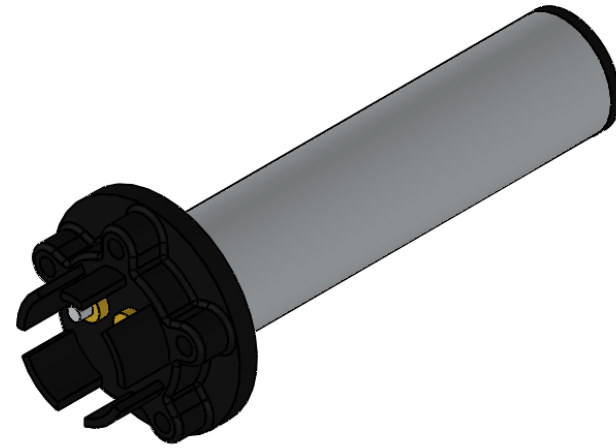


OHM RANGES (E-F)	
SN35T_	240-33
SN36T_	0-30
SN38T_	0-90
SN39T_	75-10
SN40T_	10-180

DIMENSION "A" DENOTES LAST DIGITS OF PART NUMBER AND LENGTH IN INCHES



THE INFORMATION CONTAINED HEREIN IS CLASSIFIED AND CONFIDENTIAL. IT IS THE SOLE PROPERTY OF CLASSIC INSTRUMENTS. ANY REPRODUCTION OR USE WITHOUT THE WRITTEN CONSENT OF CLASSIC INSTRUMENTS IS EXPRESSLY PROHIBITED.

UNLESS OTHERWISE SPECIFIED:

DIMENSIONS ARE IN INCHES
TOLERANCES:
FRACTIONAL ± 0.01
DECIMAL $.00 \pm .01$
 $.000 \pm .001$

MATERIAL

FINISH

PLAIN

	NAME	DATE
DRAWN BY:	D. BUTTERBRODT	9/28/2015
CHECKED BY:		
COMMENTS:		

TITLE:

Tube Style Sender

SIZE	DWG. NO.	REV
A	001	A
DO NOT SCALE DRAWING		SHEET 1 OF 1